



# AutoFon-Mayak SE • SE+

**GSM/GPRS/GLONASS/  
GPS Vehicle/Asset Tracker**



Москва  
ООО «АвтоФон»

25-02-2015

## Preface

Thank you for purchasing **AutoFon SE-Mayak**. This manual shows how to operate the device smoothly and correctly. Make sure to read this manual carefully before using this product. Please note that specification and information are subject to change without prior notice in this manual.

Any changes will be integrated in the latest release.

If you have any problems using or setting up the device, don't hesitate to contact us via email **help@autofon.ru**

## TABLE OF CONTENTS

FUNCTIONS.....	4
WHERE TO LOCATE .....	4
OPERATION PRINCIPLE .....	5
SPECIFICATIONS.....	7
DEVICE SCHEME.....	8
WHAT'S INCLUDED.....	8
GETTING STARTED.....	9
MAIN OPERATING MODES .....	10
COMMANDS TO CONTROL THE DEVICE .....	11
CHANGING GENERAL SETTINGS AND CUSTOMISATION .....	19
USING THE BUILT-IN ACCELEROMETER.....	25
GPRS-MONITORING .....	26
FIRMWARE UPDATE FOR AUTOFON SE-MAYAK VIA GPRS .....	28
WORKING WITH EXTERNAL DEVICES (SE+ edition only).....	29
WIRING SCHEMA.....	29
INFORMATION SMS PARAMETERS DESCRIPTION .....	30-31
LED INDICATION.....	32
LIST OF SMS-COMMANDS .....	33
FAULTS & SOLUTIONS.....	34
WARRANTIES .....	36

## FUNCTIONS

«**AutoFon SE-Mayak**» is a new product based on GSM/GPRS network and GLONASS/GPS satellite positioning system, which set multiple functions as security, positioning, monitoring surveillance, emergency alarms and tracking device. It can track and monitor the remote target by SMS or internet.

This device can be used as

- Portable Emergency Bell for Elderly/Kids Care.
- Tracking/Recording of Business Trips.
- Vehicle Tracking, Fleet Management and Anti-theft Alarm.
- Searching stolen cars, motorcycles, bicycles etc.
- Asset Guarding and Tracking.
- Tracking of Pets and Animals.

## WHERE TO LOCATE

Accurate GPS/GLONASS coordinates are guaranteed only if the device is within sky-sight range. However, signal may weaken; in which case GPS/GLONASS coordinates can still be provided accurately.

## OPERATION PRINCIPLE

**AutoFon SE-Mayak** has a GSM/GPRS-modem, GPS/GLONASS-receiver, microprocessor, and an independent power source. Autonomy and the small size of this device, allows it to be hidden into the most hard to find and unexpected places. It is difficult to detect the device with GSM-signal detectors because it is in hibernation most of the time.

During interval mode the device is active only for a few minutes.

When the device is offline, internal batteries allow **AutoFon SE-Mayak** to operate in interval mode by activating it for a few minutes. In this mode the device consumes little battery power.

Interval mode does not allow instantaneous communication with the device – it will execute commands during the next online session. The communication interval can be set from 15 minutes to 30 days.

When operating in interval mode, the device hibernates most of the time and wakes up by Alarm clock, which can be set up to 4 different modes.

### G - GPS and GSM-coordinates detection

The device determines location by satellites and sends a message with the exact coordinates in a format specified by the configuration command: SETUP= (parameter 8, page 20). Coordinates are either in the form of numerical data or hyperlinks to different map servers (**Google Maps and Yandex.Maps**). Additional parameters (date and time positioning, speed, etc.) can also be delivered within the message.

### S - GSM-coordinates detection mode

The device sends an SMS-message with IDs of four nearby GSM base stations, level of signal strength from the current GSM base station, the device's temperature, battery charge and operating mode. This mode is used when it is not necessary to determine exact coordinates.

### F - Standby mode

The most economical operation mode. The device is activated by set alarm time, turns the GSM-module on and waits SMS-messages. After receiving the command, the device executes it. If there is no

command, the device starts hibernating until the next session.

## A - audio control mode

Within each activation set in alarms «Alarm Clock T1/T2», the device will call admin and turn built-in microphone on to bug the area around. Maximal audio monitoring time can be set in command SETUP= (parameter 5 p. 21). There will be three attempts (with an interval of 1 minute between each of them). After finishing, the device will stay online for 5 more minutes to wait for an SMS-command or a call.

If this mode does not satisfy requirements **AutoFon SE-Mayak** can also work in active mode and respond immediately, the battery life in this case is lasts up to 10 days. When choosing this mode, we recommend connecting to an external power source. Keep in mind that during active mode the device can be easily detected by GSM scanners.

To set the mode use your cell phone by sending commands in the form of SMS-messages. The message should include password and command. (read more on page 14). According to the parameters in the message activation interval is thus set.

**AutoFon SE-Mayak** determines its position by GPS and sends it to the owner via SMS or to the monitoring server in GPRS packets. Apart from coordinates the device also sends LBS information. This information can help to determine the location without satellites' connectivity. Furthermore, SMS displays the current speed and the direction of movement. service information in the message includes date and time of activation, battery charge, temperature inside the device, mode, the number of satellites being found, GSM signal strength level, the time it took to determine the coordinates, the number of sent SMS- messages, and other useful information.

**AutoFon SE-Mayak** has a microphone that allows to bug the room (about 5 meters) around the device with an SMS-command that tells the device to make an incoming call. **AutoFon SE-Mayak** can optionally be connected to a car alarm system. If the sensor activates, even if the device is in sleeping mode, admin receives an SMS-report to which coordinates can be included. It is also possible to send an SMS to activate the external control system, such as the engine's start, stop system, front lights, etc.

The device sends a warning SMS-message when turning off the external power.

**AutoFon SE-Mayak** can change mode depending on external power or moving.

The device checks for battery status and if necessary, reports their discharge. If the message was not sent the device will attempt again.

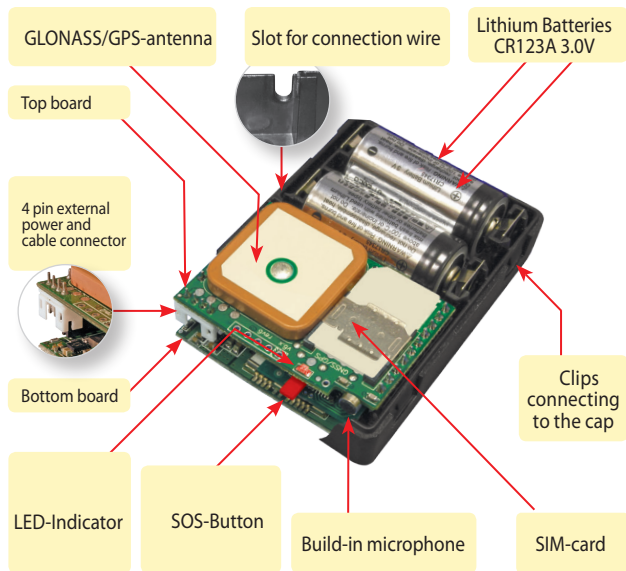
**AutoFon SE-Mayak** has a digital accelerometer. That is how movement, turn, shock, fall, crash factors can be detected and the device will inform by SMS-message and / or change to active mode.

The device control is possible from any mobile phone by sending SMS-messages with the correct password.

## SPECIFICATIONS

- Dimensions non-hermetic case 70 x 23 x 51mm, weight 98 g.
- Dimensions hermetic case 79 x 28 x 55 mm, weight 116 g.
- External power supply +9 ... 30 V through pcb connector («SE+» online), build-in batteries CR123A.
- Current in hibernation is less than 15 mA, hibernation with movement control - 25 mA, online - 3 mA, searching GPS/GLONASS satellites - 50 mA, sending GPRS-package and audio control- 500 mA.
- Built-in GSM / GPRS-modem 900/1800 MHz
- GPS coordinate accuracy is up to 5 m (ideal conditions), 5-20 m (typical), up to 300 m (weak or reflection signal).
- Multi LBS GSM technology positioning accuracy is 100-500 meters within the city, 0,5 - 30 km outside the city. The device sends data to four nearest GSM base station (MCC, MNC, LAC, CID parameters).
- Operation Temperature -35 ... +70 ° C.

## DEVICE SCHEME



## WHAT'S INCLUDED

- «**AutoFon SE-Mayak**» – 1 pc.
- Lithium Battery CR123A – 2 pcs.
- User's Guide – 1 pc.
- Short plastic card guide – 1 pc.
- Package box – 1 pc.
- Adhesive tape – 1 pc.
- External power connector and cable – 1 pc. (option)
- Hermetic box IP 67 – 1 pc.
- SIM-card – 1 pc.

# GETTING STARTED

## step 1. Insert SIM-card



1. Carefully disassemble the case of the device by hooking plastic upper case clips using thin screwdriver.
2. Insert the SIM-card into the holder.

## step 2. Turning power on



Insert the batteries according to the polarity markings. Then the status LED will blink twice to indicate that the device is ready to work.

## step 3. Authorization (setting admin number)



### 1234,+79037676045

Send SMS 1234,+your\_cell\_phone\_number to the device to set up an authorized number to get all messages from the tracker:

**1234** – default password,  
**+79037676045** – will be set up as the authorized number. It should be in international number format.  
 Wait a few minutes to receive an answer, so that the number is successfully authorized

## step 4. Setting the current date and time

### 1234,GMT=03



Send SMS 1234,GMT=xx, where **xx** is your timezone.

Date and time will be set by satellites. Therefore, the device has requires to be located in order to find them.

If it is not possible to set date and time this way, send an SMS command 1234,time=year+month+year,hours+minutes

## MAIN OPERATING MODES

The device can operate either in one mode or in a combination of several (up to 5) modes with one «alarm clock» each.

### G - GPS/GLONASS-coordinates detection

The device determines location by satellites and sends a message with the exact coordinates in a format specified by the configuration command: SETUP= (parameter 8, page 20). Coordinates are either in the form of numerical data or hyperlinks to different map servers (**Google Maps and Yandex.Maps**). Additional parameters (date and time positioning, speed, etc.) can also be delivered within the message.

### S - GSM-coordinates detection mode

The device sends an SMS-message with IDs of four nearby GSM base stations, level of signal strength from the current GSM base station, the device's temperature, battery charge and operating mode. This mode is used when it is not necessary to determine exact coordinates.

### F - Standby mode

The most economical operation mode. The device is activated by set alarm time, turns the GSM-module on and waits SMS- messages. After receiving the command, the device executes it. If there is no command, the device starts hibernating until the next session.



**To avoid SIM card blocking due to long inactivity, note that it is impossible to set «Alarm T2» in F mode!**

### A - audio control mode

Within each activation set in alarms «Alarm Clock T1/T2», the device will call admin and turn built-in microphone on to bug the area around. Maximal audio monitoring time can be set in command SETUP= (parameter 5 p. 21). There will be three attempts (with an interval of 1 minute between each of them). After finishing, the device will stay online for 5 more minutes to wait for an SMS-command or a call.

## COMMANDS TO CONTROL THE DEVICE

The device control is performed by sending SMS-commands to the SIM card installed in it. **At the beginning of each SMS-message the password should be typed (4 digits and separator - «comma»).** It is not case sensitive. Additional symbols including «Space» aren't allowed. SMS-messages with an incorrect password or non-Latin letters are not responded.

If several SMS-messages are sent, **AutoFon SE-Mayak** will only pay attention to the last one. If you want to send several messages, do it consistently, one by one, waiting for an SMS- confirmation for each command. After receiving and executing commands, the device stays online for the time set in setup, waiting for the next possible command.

If it was not possible for **AutoFon SE-Mayak** to sent an SMS (probable causes being no GSM network, no money on the SIM card), it will make additional attempts and then it will return to set mode and send these SMS-messages when possible.



**All parameters and settings are stored in nonvolatile memory, thus they do not change because of the replacement of batteries or SIM-card.**

Type your four-digit password instead of the word «**password**»

1234,online

AutoFon SE-Mayak v6.1a  
 Bat.: 6.16 V (82%) T: +34 °C  
 Mode: online  
 sms#1

### Setting active mode (password,online)

With this SMS the device is set to active mode, the device is always online. Commands are also executed in real time.

Batteries in this mode last up to 10 days if GPRS monitoring is off and up to 48 hours if GPRS monitoring is enabled.

1234,sleep

AutoFon SE-Mayak v6.1a  
 Bat.: 6.16 V (82%) T: +34 °C  
 Mode: sleep  
 sms#1

### Setting interval mode (password,sleep)

With this SMS the device is set to interval mode. It will turn to online mode (at the time set in the alarm clock) or because of sensor activation;

such as moving, pressing the SOS-button, activating an external alarm input, etc. The rest of the time it hibernates.

1234,eng

AutoFon SE-Mayak v6.1a  
 04-03-2012 13:45:04  
 1: +79037676045  
 IMEI: 359231039333995  
 SETUP=1125561721  
 011119111000000  
 Output channel on.  
 Bat: 6.16 V (82%) T: +34 °C  
 Mode: sleep  
 sms#11

### Choosing SMS language (password,eng) или (password,rus)

Using this command you can change the language of text messages sending by AutoFon-Mayak.



**The letters limit in english exceed the limit in russian language twice, therefore SMS-messages in russian can be more expensive.**

1234,gmt=03

AutoFon SE-Mayak v6.1a  
04-03-2012 13:45:04  
Bat.: 6.16 V (82%) T: +34 °C

## Setting the Current Date and Time from satellites (password,GMT=xx)

(GMT=xx) where:

**XX** is your timezone from 00 till 14.  
1234,GMT=04 for Moscow, Russia.

Date and time will be set from satellites signals. Therefore, the device has to be located in order to find them. If it is not possible to set date and time this way, you can also use command **TIME=**

1234,time=02012012,1405

AutoFon SE-Mayak v6.1a  
02-12-2012 14:05:04  
Bat.: 6.16 V (82%) T: +34 °C

## Setting current date and time (password,TIME=ddmmyyyy,hhxx)

**dd** (day) in the range 01...31;  
**mm** (month) in the range 01...12;  
**yyyy** (year) in the range 2010...2100;  
**hh** (hour) in the range 00...23;  
**xx** (минуты) in the range 00...59.

The data are checked to be valide. The time will be setted at the moment when the device reads the message

1234,t1=s

AutoFon SE-Mayak v6.1a  
T1: 05-03-2012 12:00,15M,S  
T2: 12-03-2012 15:30,07D,G  
Bat.: 6.16 V (82%) T: +34 °C

## Changing «Alarm T1/T2» mode and / or intervals only (password,Tn=mode) (password,Tn=interval) (password,Tn=interval,mode)

To change **Alarm T1/T2** operation mode only, send the command:

**password,Tn=mode**

**n** - 1 or 2 - alarm number, **mode** - the letter **F, S, G, A** or their combination.

Similarly, it is possible to change the activation interval for each alarm with the following command: **password,Tn=interval**, To change interval and mode at the same time use: **password,Tn=interval,mode**. Command parameters are identical to the settings of the command below.

1234,t1=05032012,1300,15m,f

AutoFon SE-Mayak v6.1a  
 T1: 05-03-2012 12:00,15M,F  
 T2: 12-03-2012 15:30,07D,G  
 Bat.: 6.16 V (82%) T: +34 °C

## Setting the date, time, and mode

### «Alarm T1/T2»

(password,Tn=ddmmyy,hhxx,interval,mode)

**n** - 1 or 2 - number of the alarm, **dd** (**day**) in the range of 01...31; **mm** (**month**) -

01...12; **yyyy** (**year**) - 2012...2100; **hh** (**hour**) - 00...23; **xx** (**minutes**) - 00...59.

The possible values (two digits + one letter) for intervals are:

- 15 to 59 for the letter **M** (minutes),
- 01 to 23 for the letter **H** (hours),
- 01 to 30 for the letter **D** (days).

Mode - the letters **F, S, G, A**

1234,t1=05032012,1300,30m,GA

AutoFon SE-Mayak v6.1a  
 T1: 05-03-2012 12:00,30M,GA  
 T2: 12-03-2012 15:30,07D,G  
 Bat.: 6.16 V (82%) T: +34 °C

## Setting the mode combination for Alarm T1/T2

**A, F, G, S** (page 10)

Time and date correction is checked. The time of installation - time of reading this SMS by the device. When the alarm time

of the device expires, it goes online and starts the algorithm mode set in the alarm clock.

Each time the device puts alarm clock forward on set interval.

Alarms are equal, but it's not allowed to set **F** mode on «T2».

Multiple modes of operation executed in appearing order.

Default settings: **T1=02012012,1200,01D,F**

**T2=02012012,1200,07D,G**

1234,G

Autofon SE-Mayak v6.1d  
 04-03-2012 13:45:04  
 Command ok. Wait  
 Bat.: 6.16 V (82%) T: +34 °C  
 Mode: sleep  
 sms#11

### Single GPS-coordinates definition request (password,G)

The device sends a message with GPS coordinates in the format specified by **parameter № 8 in SETUP=xxx...xxx**. Depending on the settings, coordinates are displayed in one of the multiple standard formats or as a hyperlink indicating the location. The coordinates can be accompanied by date and time of positioning, speed and direction of movement, current GSM base station identifiers, etc. If the GPS-satellites were not found, the device sends an SMS with the location determined by base stations on the GSM (LBS-location method).

Autofon SE-Mayak v6.1d  
 04-03-2012 13:45:04  
 Sat.: 4 at 47s.  
 N55 52.7213  
 E037 36.1908  
 Speed: 73 km/h  
 Altitude: 177 m  
 Accur.: 10 m  
 Bat.: 6.16 V (82%) T: +34 °C  
 Mode: sleep  
 sms#11

1234,S

AutoFon SE-Mayak v6.1a  
 01-01-2012 12:05:00  
 GSM -52dB LBS:  
 MCC=250  
 MNC=01  
 LAC: 9472 9472 9472 9472  
 CID: 893C 8940 1725 1727  
 T1: 02-01-2012 12:00 01D,S  
 T2: 02-01-2012 12:00,07D,G  
 Bat.:5.85 B.(100%) T: +25 °C  
 Mode: sleep  
 sms# 3

### Single GSM-coordinates definition request (Multi LBS) (password,S)

The device sends an SMS-message with the identifiers of the current and the next three GSM-base stations, temperature, battery charge and operation mode. This data allows to specify location. The parameter indicating GSM-signal level is also sent in the message. The smaller the value, the better the reception. In s mode, SMS-messages in english allows for 160

symbols.

1234,A

RING

### Single turning audio monitoring mode (password,A)

The device responds to the SMS with a call and turns the built-in microphone on. Maximum session time is set in parameter № 5 in **SETUP=xxx**, 3 attempts. After finishing, the device will stay online for 5 more minutes waiting for an SMS-command or a call. It is also possible to use this function by setting the admin's phone number and calling the device during active mode.

1234,?

### Checking the status, settings and operation modes (password,?)

```
Autofon SE-Mayak v6.1d
04-03-2012 13:45:04
PASS: 1234
IMEI: 359231039333995
1: +79037676045
SETUP=1025561721
011119111000000
I1=internet.mts.ru
I2=176.9.114.139.20102
I3=030
T1: 05-03-2012 12:00,01D,F
T2: 12-03-2012 15:30,07D,G
Sensor=1/1 (move)
Ext. power: off
Output channel on.
Bat.: 6.16 V (82%) T: +34 °C
Mode: sleep
sms#11
```

As a response to this command the device sends an SMS-message with full information about options except the password.

With this command, the IMEI number and current admin's number can be found.

1234,name=OpelAstra

### Changing the name of the device (password,name=####)

```
OpelAstra SE-6.1a
PASS: 5678
Bat.: 6.16 V (82%) T: +34 °C
```

This name will be written as a first line instead of default «AutoFon Mayak». Maximum number of symbols is - 23.

1234,p=5678

**Changing password  
(password,p=####)**

AutoFon SE-Mayak v6.1a  
**PASS: 5678**  
 Bat.: 6.16 V (82%) T: +34 °C

After receiving this command the device will replace the password (4 digits) with the new one (4 digits).

Example: 1234, p=5678, where 1234 – old password, 5678 – new password. Do not forget your new password, resetting the password is possible only by reinstalling firmware in service center!

1234,+79991112233

**Changing the admin's number  
(password,+79037676045)**

AutoFon SE-Mayak v6.1a  
 1: +79991112233  
 Bat.: 6.16 V (82%) T: +34 °C

When this command is received, the device will replace the current phone number for notifications to a new one. The new number must be entered in international format, starting with a «+» and consisting of 10-13 digits.

AutoFon SE-Mayak will also send SMS-message to old admin's number to inform about rewriting the number.

1234,++79991234567

**Recording, editing and deleting  
phone number for emergency  
notifications.**

AutoFon SE-Mayak v6.1a  
 1: +79037676045  
 2: +79991234567  
 Bat.: 6.16 V (82%) T: +34 °C

**(password,++79992223344),  
 (password,++0)**

When this command is received, the device will be sent double message to this number emergency SMS-message such as turn, crash or sos-button pressing. The number must be in an international format, starting with a «+» and consisting of 10-13 digits.

1234,M=\*100#

AutoFon SE-Mayak v.6.1a  
 Баланс 281.09 р.  
 sms#39

## Balance and other USSD-requests (password,M=xxxxxxx)

Requesting account balance information. Check with SIM card service provider by using a balance command format. It is a

request like **\*100#** or **\*102#**

Example: **1234, M=\*100#**

During the next communication session the device will send request to the operator, receive an answer and send it to admin. If the operator adds commercial text to the balance message, this text will be transmitted as well. If there is no response from the operator (after 3 attempts), the device sends an SMS error message.

We recommended to activate a service, in which admin allows to receive a notification of the current SIM card balance when it is close to zero. In addition, it will be useful to enable access to the mobile operator online account before installing SIM card into the device.

## Enable / disable the output channel (SE+ edition only) (password,k=xxxx) (password,k+) (password,k-)

1234,k=1200

AutoFon SE-Mayak v.6.1a  
 Выходной канал включен.  
 Bat.: 5,85 В (100%) T:+25 °С

Receiving SMS **password,k=xxxx** x the devices will turn output channel on at set time, where xxxx - time in seconds, from 0001 to 9999.

Also, you can turn the channel on for unlimited time with command **password,k+**

To turn output channel off send an SMS-message: **password,k-**

## CHANGING GENERAL SETTINGS AND CUSTOMISATION

(password, SETUP=parameter 1... parameter 25)

1234,setup=1005511132122  
123212342231

AutoFon SE-Mayak v6.1a  
SETUP=1005511132122  
123212342231  
Bat.: 6.16 V (82%) T: +34 °C

To change the device settings with one command send the text message like:  
**1234,setup=01255\*\*\*\*\*4\*\*\*2\*\*\*\***

where 1234 - device password.

Number - parameter to be changed.

**\*** (asterisk) – parameter not to be changed has to be replaced by asterisk symbol. There are 25

parameters.

**1234,setup=\*\*\*\*\*9\*\*\*\*\***

**Parameter 1** - interval / active mode:

(0 – default ).

**0** – interval mode (sleep)

**1** – active mode (online).

**Parameter 2** - russian / english SMS language:

(0 – default).

**0** – Russian,

**1** – English.

**Parameter 3** - SMS waiting time (in minutes):

**2** to **9** (2 – default).

SMS waiting time after GSM-module registration

**Parameter 4** - Delay before starting hibernation (in minutes):

**2** to **9** (5 – default).

SMS waiting time after all alarms and commands are done.

**Parameter 5 - Audio control limit time (in minutes):****1 to 5** (5 – default).

Maximal listening duration. After reaching the limit the device will hang up

**Parameter 6 - Maximal time to search satellites (in minutes):****1 to 9** (6 – default).

After reaching the limit the device will send approximate coordinates.

**Parameter 7 - reserved****Parameter 8 - SMS type mode G:****1 to 9** (0 – default).

Changing structure and type of information in SMS-message mode G:

**0** – basic information + GPS-data in digital form in degrees + hyperlink to Yandex.Maps (default);

**1** – extended coordinate information version and the device's status, this type needs more symbols, increases amount of sms send by the device, which can be extra charged by your mobile provider.

**2** – GPS data in digital form in degrees without hyperlinks;

**3** – Yandex-link coordinates + link to [map.autofon.ru](http://map.autofon.ru) with expanded information and location on GSM base stations information in case satellites are not found;

**4** – Yandex-link + minimum device status information. SMS is always in english and charged as one SMS. If no satellites were found a link to [map.autofon.ru](http://map.autofon.ru) will be sent, with LBS coordinates and complete deciphered status information;

**5** – Google Maps-link + minimum information. SMS is always in english and is charged as one SMS. Link to [map.autofon.ru](http://map.autofon.ru) with expanded information and location on GSM base stations in case

satellites were not found.

Most modern smart phones open these links in «Maps» applications which increases the convenience of viewing and download speeds.

**6** – GPS-data in digital form «degrees - minutes - seconds + LBS information + current settings and the device status + altitude + HDOP and VDOP accuracy.

**7** – condensed coordinates information in degrees + speed, course, accuracy, the number of found satellites and positioning time, battery power information, and number of SMS. All these sent through only one SMS, billed to the operator in english mode. If no satellites are found, the nearest GSM base station Id is used to determine coordinates by LBS.

**8** – reserved;

**9** – short [map.autofon.ru](http://map.autofon.ru) link with complete status information and the current location.

#### Parameter 9 - password protection:

**0** to **9** (3 – default).

Wrong password reaction:

**0** – no reaction,

**1–9** – number of consecutive SMS with the wrong password and the correct content.

#### Parameter 10 - low battery:

**0** to **2** (1 – default).

Low battery SMS-notification,

**0** – no notification

**1** – SMS-message to the admin's number, only if  $t^{\circ} > 0^{\circ}\text{C}$ ..

**2** – SMS-message to the admin's number.

**Parameter 11** - reaction on turning external power on (SE+ edition only):

(4 – default).

- 0 – no reaction,
- 1 – Alarm by power on,
- 2 – Alarm by power off,
- 3 – Alarm by power on and off,
- 4 – Active mode by power on,
- 5 – Active mode by power on + inform message by power on,
- 6 – Active mode by power on + inform message by power off,
- 7 – Active mode by power on + inform message by power on and off

**Parameter 12** - reaction by external input activation mode (SE+ edition only):

(1 – default).

- 0 – no reaction,
- 1 – Alarm by activation (to ground),
- 2 – Active mode by activation,
- 3 – Active mode by activation + inform message

**Parameter 13** - SOS-button mode:

(1 – default).

- 0 – no reaction,
- 1 – Alarm by pressing,
- 2 – Active mode by pressing,
- 3 – Active mode by pressing + alarm message.

**Parameter 14 - accelerometer mode:**

(0 – default) detailed description page 25

- 0 – off,
- 1 – Alarm at the beginning of movement,
- 2 – coordinate dispersion rejection mode (so-called «parking stars»),
- 3 – Alarm at the beginning of movement + coordinate dispersion rejection mode,
- 4 – Turn detection,
- 5 – Shock detection,
- 6 – Crash detection

**Parameter 15 - the device accelerometer alarm reaction:**

(1 – default).

- 1 – Sending SMS-messages on factors (i.e. Turn, shock, crash etc.) set in parameter number 14,
- 2 – Active mode on factors set in parameter number 14,
- 3 – Active mode on factors set in parameter number 14 + SMS notification.

**Parameter 16 - accelerometer sensitivity:**

**1 to 9** (5 – default).

- 1 (lowest sensitivity)
- 9 (highest sensitivity)

**Parameter 17 - movement control reactivation time:**

**0 to 9** (6 – default (60 minutes)).

- 0 – 5 minutes
- 1 – 10 minutes
- 2 – 20 minutes

**Parameter 18** - alarm coordinates:

(0 – default).

sending SMS with coordinates after any alarm

**0** – off,

**1** – same as G-request.

**Parameter 19** - «black box» for unsent GPRS-package (detailed explanation page 26-27):

(1 – default).

**0** – off,

**1** – on (if isn't possible to send GPRS-package to monitoring server coordinates are stored in flash-memory and sent to server when possible).

**Parameter 20** - sending GPRS-package with GPS module off

(0 – default).

**0** - GPS module on,

**1** - GPS module off

Parameter используется для экономии энергии при отсутствии необходимости точного определения местоположения охраняемого объекта. При отключении ГЛОНАСС/GPS модуля координаты передаются по данным LBS.

**Parameters 21–25** – reserved.

## USING THE BUILT-IN ACCELEROMETER

Built-in three-axis accelerometer allows monitoring the protected object, whether it is in motion, identify turning, shocking, crashing and dropping. AutoFon S-Mayak is not only used for locating stolen cars, the device makes it possible to respond immediately. Detection is performed in all modes, including hibernation. In addition, it is possible to receive current location right after every sensor alarm - **parameter 18** (refer to **SETUP=** on page 24)

1234,mems=1

Autofon SE-Mayak v6.1d  
Sensor=1/1 (move)  
Mode: sleep  
sms# 3

**Setting up accelerometer mode (password,mems=x), where x - one of the events to be detected**

- 0** – accelerometer is switched off.
- 1** – detection of the movements. The movement has to be longer than 4 seconds.
- 2** – suppressing coordinates scatter during parking in GPRS-monitoring (so-called «parking stars»). It is only used during sending data to the monitoring server via GPRS;
- 3** – combine mode **1.** и **2.**
- 4** – turn detection. The device has to be placed horizontally
- 5** – shock detection.
- 6** – crash detection (recognized by sharp deceleration occurring with overload 1-10G).

Accelerometer sensitivity can be adjustable in **SETUP=parameter 16**. After sending SMS-messages the device will stay active for 5 more minutes to send more SMS-command or call the device to bug the area around.

The reaction to accelerometer alarm, can be set in **SETUP=parameter 15**.

## GPRS-MONITORING

The device can continuously track the object movement and send information to monitoring server via GPRS technology to monitoring server. Admin can monitor all movements of the object from any computer connected to the Internet.

1234,i1=internet.mts.ru

AutoFon SE-Mayak v.6.1a  
i1=internet.mts.ru  
i2=176.9.114.139.20102

1234,i2=176.9.114.139.20102

i1=internet.beeline.ru  
i2=176.9.114.139.20102  
i3=60

1234,i3=30

i2=176.9.114.139.20102  
i3=30  
Bat.: 5,85 B (100%) T: +25 °C

1234,box=1

i2=176.9.114.139.20102  
i3=30  
Black box: on

### Setting APN:

**Password,i1=internet.mts.ru** (MTC)  
**Password,i1=internet.beeline.ru** (Beeline)  
**Password,i1=internet** (Megaphone)

### Setting IP-address and port:

**Password,i2= 176.9.114.139.20102**  
These settings can be found on the monitoring server website.

### GPRS packets sending interval

**Password,i3=30** (10 to 240 seconds).  
**Password,i3=0** – GPRS is off.  
When activating by Alarm T1/T2 only one packet is sent, if i3=10-240.

### «Black box» settings

**1234,box=0 «black box» is off,**  
**1234,box=1 «black box» is on,**  
**1234,box=2 cleaning «black box» memory**  
**without changing operation mode,**

If isn't possible to send GPRS-packet to monitoring server the coordinates are stored in flash-memory and sent to server when possible. The memory can save up to 98000 packets. When memory is full, the oldest packets are deleted to write the newest ones.

When the device connects to server, the black box data are sent and deleted from memory.

As an answer message all black box settings and connection status are sent:

**FLASH: 98304/0/0** - information about saved packets

**GPRS status=1/0/0** - GPRS status information

### **Important notes about GPRS-monitoring:**

1. GPRS mode needs more battery power, use it with an external power supply (SE+ addition only), otherwise battery life will suffice for about 24-48 hours of nonstop working.

2. To suppress coordinates scatter during parking in GPRS-monitoring activate «parking stars» mode in SETUP=parameter 14. In this mode the device sends coordinates to monitoring server only if its accelerometer detects movement.

3. This device allows the use of a continuous monitoring mode, only if external power is on / movement is detected / there is a signal from the external input. All of these options are described in command SETUP= (page 23)

4. GPRS has to be available for SIM card by service provider.

5. GPRS-traffic international roaming price can be high, check rates with your service provider.

6. Even if GPRS-monitoring is on it is possible to control the device via SMS and receive a response.

7. All GPRS settings are saved in nonvolatile memory and don't change when power is off.

## Firmware Update for AutoFon SE-Mayak via GPRS

Firmware can be updated via GPRS downloaded from AutoFon server. All settings are saved and not gonna be changed after update. To upgrade software via GPRS send command:

1234,update=176.9.74.42.1302

password,update=176.9.74.42.1302

Receiving this command **AutoFon SE-Mayak** sends confirm SMS and connects to the server. After successful connection **AutoFon SE-Mayak** downloads and installs new firmware, during this time the device doesn't receive any commands. After successful update the device restarts and sends an informing text message, otherwise it sends the message with an error and goes back to the current operation mode.

To update the software APN (i1, page 26) has to be correct.

## Working with external devices

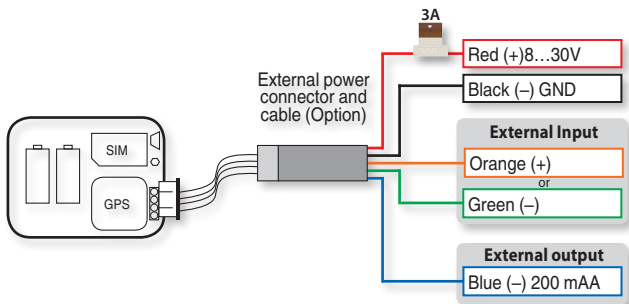
(SE+ edition only)

**AutoFon SE+ Mayak** can work completely autonomously with or without external connections. To use external connections open the cover and carefully remove by lifting up the top board. Located on the underside is a 4-pin connector and plug-in. To move wires cut out perforation in the plastic box. Black and red wire can be connected to the power supply 8 ... 30 V, blue - out additional channel, green - alarm input. It's also possible to use external power at the same time with batteries. External power supply is necessary to connect a fuse nominal 1A. When the external power is disconnected the device will automatically switch to battery power and send inform SMS-message to admin.

To connect **AutoFon SE+ Mayak** to output channel check to see if the current can go through this circuit! The maximum load output capacity is - 200 mA, otherwise the device will fry.

To be able to turn on output channel any time, use active (online) mode. The device will not hibernate.

### Wiring diagram



# Information SMS

## Russian

The device name, hardware and software version <b>v6.1a</b>	АвтоФон SE-Маяк v6.1a
Internal clock's date and time at the moment of composing new SMS	04-03-2012 13:45:04
Number of GPS-satellites were found and time needed to find them.	Команда принята. Ждите. Спутн.: 4 за 47с. N55 52.7213 E037 36.1908
Yandex hyperlink. If your phone supports hyperlinks, you can open it right on and a map showing the location point.	<a href="http://m.maps.yandex.ru/?l=maps&amp;ll=037.143318,55.778838&amp;pt=037.143318,55.778838&amp;z=13">http://m.maps.yandex.ru/?l=maps&amp;ll=037.143318,55.778838&amp;pt=037.143318,55.778838&amp;z=13</a>
GSM Level quality: < 85 dB – good 85 -100 dB – average 100 -109 dB – poor	GSM -68dB
IDs closest GSM base station for determination of approximate position based on the LBS-location method. To convert this data to geographic coordinates use LBS-location services like ksa.autofon.ru	MCC: 250 MNC: 001 LAC: 17D5 17D5 0321 0321 CID: 0F55 0F52 42EB 42EE
Currently installed admin's number	Скорость: 73 км/ч Высота: 177 м Точность: 10 м
Unique GSM-modem the device number	1: +79037676045
The current device settings. 25 digits (page 19)	IMEI: 359231039333995 SETUP=1025561721 011119111000000
Alarm clock T1 and T2 settings. Date and time of next activity, activation interval in minutes, hours or days, and mode. F – wait for commands G – send GPS location S – send GSM location	i1=internet.mts.ru i2=176.9.114.139.20102 i3=30
External power indicator, shows if there is external power connected. Detailed information about cable and wiring see page 29	GPRS status=1/0/0 FLASH:98304/0/0
SMS number after turning power on	T1: 05-03-2012 12:00,01D,F T2: 12-03-2012 15:30,07D,G
	Датчик=1/1 (движение) Питание: выкл. Выходной канал включен. Бат.: 6.16 В (82%) Т: +34 °С Режим: спящий
	смс#11

# Parameters Description

## English

AutoFon SE-Mayak v6.1a  
04-03-2012 13:45:04

Command OK. Wait.  
Sat: 4 at 47s.

N55 52.7213

E037 36.1908

<http://m.maps.yandex.ru/?l=maps&ll=037.143318,55.778838&pt=037.143318,55.778838&z=13>

143318,55.778838&pt=

037.143318,55.778838&z=13

GSM -68dB

MCC: 250 MNC: 001

LAC: 17D5 17D5 0321 0321

CID: 0F55 0F52 42EB 42EE

Speed: 73 км/ч

Altitude: 177 м

Accur: 10 м

1: +79037676045

IMEI: 359231039333995

SETUP=1025561721

011119111000000

i1=internet.mts.ru

i2=176.9.114.139.20102

i3=30

GPRS статус=1/0/0

FLASH:98304/0/0

T1: 05-03-2012 12:00,01D,F

T2: 12-03-2012 15:30,07D,G

Sensor=1/1 (move)

External power: off

Output channel on.

Bat: 6.16 V (82%) T: +34 °C

Mode: sleep

sms#11

Receiving command notification.

GPS-coordinates.

Can be displayed in three formats:

- Degrees
- Degrees minutes seconds
- Degrees minutes.

Coordinates format can be set in SETUP=parameter 8 (page 18).

Received coordinates can be typed in map services search line to see location point on the graphical or satellite map.

Current object speed at the time of positioning.

Altitude from sea level

Horizontal and vertical coordinates accuracy setting.  
Without possible signal reflection

GPRS setting: Ask operator for APN-address

IP-address and monitoring port, where data are sent by GPRS

Interval to send packets to monitoring server via GPRS

Technical information about GPRS connection status and black box flash

Accelerometer settings (page 28). First number corresponds to the action to be detected, second - the reaction on the action detection.  
See Parameters #14, #15 page. 23

Output channel indicator

Battery charge and temperature

Mode active (online) or interval (sleep) онлайн или спящий

## LED INDICATION

The device has LED, located on pcb next to the SIM card holder. LED indicates the current operating mode and the device status. (page. 8).

Table № 2

LED Indicator	Description	Incoming call reaction
Double long flash — —	Initialization. 2-4 seconds turning power on	The number is not available.
One short flash .....	Active mode. GSM-module is on, registration in a GSM-network	The number is not available.
Two short flashes .....	Active mode. GSM-module is registered in the network, waiting for incoming SMS	The number is available. Doesn't pick up the phone.
Three short flashes .....	Active mode. The device complied all commands and is in standby mode waiting for new commands	The number is available. Picks up the phone, turns on the microphone.
Four short flashes + one long flash between .... - ..... - ..... - ..... - .....	Active mode. GPRS-monitoring is on. Connected to server monitoring. Log in to the server successfully. There is traffic	The number is available. Picks up the phone, turns on the microphone.
One long flash between short flashes — .. — .. — .. — .. — ..	Active mode. GPS-module is on. Searching for satellites	The number is not available. Doesn't pick up the phone.
No light	The device is in hibernation mode or power is off	The number is not available.
Steady light _____	CPU is stopped, the device is defective or no battery power.	The number is not available.

## LIST OF SMS-COMMANDS

SMS command	Function	Description
password,+79037676045	Setting or changing admin number	page 17
password,gmt=3	Setting current date and time by satellites	page 13
password,online	Switching to active mode	page 12
password,sleep	Switching to interval mode, activation by Alarm T1/T2	page 12
password,eng	Switching SMS language to English	page 12
password,rus	Switching SMS language to Russian	page 12
password,time=240215,1426	Setting current date and time manually	page 13
password,t1=07052015,1800,01d,f	Setting Alarm T1	page 13
password,t2=07052015,1130,28d,s	Setting Alarm T2	page 13
password,t1=s	Change mode in Alarm T1 only.	page 14
password,g	Single GPS-coordinates definition request	page 15
password,s	Single GSM-coordinates definition request	page 15
password,a	Dialing admin's number and turning microphone on	page 16
password,?	Checking all settings and modes	page 16
password,name=Mercedes	Change the name of the device	page 16
password,p=5678	Changing the device password	page 17
password,++79037676045	Set number for alarm messages (crash, turn...).	page 17
password,m=#100#	Balance and other USSD-requests.	page 18
password,k+	Turning output channel on for unlimited time (SE+ edition only)	page 18
password,k=120	Turning output channel on for some time (from 1 to 9999 seconds) (SE+ edition only)	page 18
password,k-	Turning output channel off (SE+ edition only)	page 18
password,setup=002556003141115001000000	Changing general settings	page 19
password,mems=1	Turning on movement detection.	page 25
password,mems=0	Turning off movement detection.	page 25
password,i1=internet.mts.ru	Setting APN	page 26
password,i2=176.9.114.139.20102	Setting IP and port	page 26
password,i3=60	Setting package sending interval	page 26
password,update=176.9.74.42.1302	Firmware update	page 28

# FAULTS & SOLUTIONS

**Table № 3**

Problem Description	Probable reason	Solution
The device does not hibernate, even if sleep mode is set	The device does not have time to hibernate, because it is receiving commands or is online because of an existing alarm.	Do not send commands to the device for some time. Check the settings SETUP=
The device is not responding to SMS-commands	<ol style="list-style-type: none"> <li>1. Batteries are discharged.</li> <li>2. Wrong password in SMS-command.</li> <li>3. SMS-command contains Cyrillic letters.</li> <li>4. Activation time has not come yet.</li> <li>5. The device is out of coverage area.</li> <li>6. No money on SIM card account, outgoing traffic is blocked.</li> <li>7. Admin's number is not set.</li> <li>8. Temperature is below -35°C.</li> <li>9. The device is defective.</li> </ol>	<ol style="list-style-type: none"> <li>1. Check battery voltage, if less than 2700 mV - replace.</li> <li>2. Enter the correct password in the message. If you do not know it – upload default software in service center.</li> <li>3. Send command in Latin letters.</li> <li>4. Wait for activation time.</li> <li>5. Wait for coming to coverage area.</li> <li>6. Replenish the device's account.</li> <li>7. Send command to set admin's number.</li> <li>8. Wait for temperature rise.</li> <li>9. Contact service center.</li> </ol>
The device does not detect GPS-coordinates	<ol style="list-style-type: none"> <li>1. The device is screened by metal or out of sky sight.</li> <li>2. There is strong radio interference next to the device.</li> <li>3. The device is not sky directed</li> </ol>	<ol style="list-style-type: none"> <li>1. Put the device to the different location, without screening.</li> <li>2. Try to get GPS-coordinates somewhere else.</li> <li>3. Direct the device antenna to sky.</li> </ol>

Описание проблемы	Вероятная причина	Пути решения
Batteries discharge quickly	1. Active (online) mode is set 2. GPRS is on. 3. The device sends incorrect information about battery charge. 4. Audio control is often used.	1. Set interval (sleep) mode. 2. Turn GPRS off or use external power. 3. Battery power indication depends on temperature. Battery loss is nonlinear. 4. Do not use audio control when it's not necessary.
GPS-coordinates are not accurate for about 50-500 meters	The device has found only three satellites or catches the reflected signal.	Put the unit in a location with a more stable GPS-signal reception

If you have any problems or questions during setup or operation read «Faults & Solutions» and forum on website [www.autofon.ru](http://www.autofon.ru) before contacting the service center.

**AutoFon support:**

**8-800-555-79-77**(free calls from Russia)

**+7-495-504-12-33** Moscow, from 9 to 18 hours.

## Гарантийные обязательства

Производитель устанавливает гарантийный срок на устройство, который составляет 12 месяцев момента его продажи конечному потребителю, но не превышает 18 месяцев, начиная с даты производства устройства. Если момент продажи устройства определить невозможно, то срок гарантийный срок исчисляется с даты производства устройства.

Производитель гарантирует исправную работу устройства в течение 12 месяцев, с момента его продажи конечному потребителю, только при условии использования устройства в тех целях, для которых оно предназначено Производителем, при надлежащем соблюдении правил эксплуатации, бережного обращения с устройством, аккуратного хранения и надлежащей установкой, своевременного обслуживания и диагностики возможных неисправностей и отсутствии механических электрических и иного характера повреждений частей и механизмов устройства. Настоящая гарантия предоставляется Потребителю в дополнение к конституционным и иным правам Потребителя, и ни в коем случае не ограничивает их. Потребитель вправе предъявить требования к Производителю в отношении недостатков устройства, если они обнаружены в течение гарантийного срока и возникли по вине Производителя. Производитель обязуется в течение гарантийного срока, с момента продажи конечному потребителю, при условии соблюдения Потребителем всех правил и условий эксплуатации, осуществить бесплатный гарантийный ремонт устройства, устранить неполадки, возникшие по вине Производителя.

Гарантия не распространяется на элементы питания, аксессуары и принадлежности, части и детали, которые подвержены естественному износу в процессе эксплуатации и подлежат периодической замене, а также на другие комплектующие, подверженные сильным механическим воздействиям в процессе эксплуатации устройства.

Гарантия не распространяется на программное обеспечение также на информацию, сохраненную в SIM – картах и других источниках информации, необходимых при работе с

устройством.

Производитель гарантирует, что производимые им устройства не оказывают какого-либо вредного влияния на здоровье Потребителя и являются безопасными при условии соблюдения всех правил эксплуатации, описанных в прилагаемой технической и иной документации к устройству. Требования к качеству функционирования устройства не могут превышать технические характеристики, заявленные Производителем устройства.

Производитель не гарантирует, что устройство будет работать в соответствии с ожиданиями Потребителя, при использовании его в специфических целях, не предусмотренных целевому назначению устройства и при не соблюдении условий, оговоренных в инструкции по эксплуатации.

Внешний вид устройства, комплектация и характеристики могут изменяться Производителем без предварительных уведомлений. Информацию о новых видах устройства Потребитель может узнавать на официальном сайте Производителя [www.autofon.ru](http://www.autofon.ru).

## **Рекомендации по правильной эксплуатации устройства**

### **Уважаемые Потребители!**

Используйте приобретенное устройство только по прямому назначению.

В первую очередь, следите, чтобы Ваше устройство (внутренние части устройства) не подвергалось воздействию влаги, которая вызывает коррозию электронных схем.

Немаловажным является беречь устройство от ударов, падений и тряски, в результате которых может повредиться корпус устройства или же встроенные печатные платы и электронные компоненты.

Высокие температуры могут сократить срок службы устройства, повлечь повреждение элементов питания и деформацию пластиковых частей устройства.

Воздействие пониженной температуры с последующим резким её повышением приводит к образованию конденсата на внутренних частях устройства. Это может повлиять на

работоспособность электрических схем устройства.

**Не пытайтесь разбирать или модифицировать устройство и его компоненты.** Не активизируйте устройство со старыми, разряженными элементами питания, это может вызвать снижение длительности работы устройства.

Вы можете потерять контроль над устройством!

Потребитель несёт полную ответственность за безопасную эксплуатацию устройства. Во время эксплуатации на вас, уважаемые Потребители лежит ответственность за вашу собственную безопасность и безопасность окружающих.

**Пожалуйста, неукоснительно выполняйте приводимые рекомендации !**

### **Срок гарантийного обслуживания.**

Срок гарантийного обслуживания исчисляется с момента продажи устройства и составляет 12 месяцев с момента его продажи конечному потребителю. Если момент продажи/установки устройства определить невозможно, то срок гарантийного обслуживания исчисляется с даты производства устройства.

### **1. Общие положения о гарантийном обслуживании.**

1.1. ООО «АвтоФон» – (далее Производитель) гарантирует Потребителю в течение указанного срока бесплатное устранение недостатков устройства, обнаруженных дефектов при использовании устройства, допущенных в процессе производства, при условии соблюдения Потребителем всех рекомендованных Производителем условий транспортировки, разгрузки, хранения, эксплуатации устройства.

1.2. Гарантийное обслуживание производится бесплатно в отделе сервисного обслуживания Производителя - (далее - сервисный центр).

В случае выявления недостатков устройства при эксплуатации в течение гарантийного срока, если требования по эксплуатации были выполнены правильно, Потребитель вправе обратиться для осуществления гарантийного обслуживания устройства, в сервисный центр Производителя. По всем вопросам осуществления гарантийного обслуживания устройства, Производитель рекомендует обратиться в сервисный центр Производителя, адреса и телефоны, которых

указаны в инструкции по эксплуатации, гарантийном талоне, а также на официальном сайте Производителя: [www.autofon.ru](http://www.autofon.ru) или узнать по телефону: +7 (495) 544-57-97.

1.3. При передаче неисправного устройства на гарантийный ремонт, Потребителю необходимо предъявить: само устройство и документ, подтверждающий факт приобретения данного устройства (товарная накладная, чек, гарантийный талон и др.), в котором ясно указаны имя и адрес продавца, дата покупки и тип устройства, подтверждающие актуальность гарантийного периода для этого устройства. Также, Потребителю необходимо заполнить Заявление на проведение диагностики и ремонта устройства, подлежащего гарантийному ремонту и Акт рекламации (форма Акта рекламации и форма Заявления на проведение диагностики и ремонта устройства приведены на официальном сайте Производителя).

1.4. Если устройство, поступившее посылкой или доставленное лично в сервисный центр Производителя, получено Производителем без выполнения пункта 1.3, а также с ненадлежащим образом заполненным Заявлением на проведение диагностики и ремонта устройства Актом рекламации, Производитель оставляет за собой право не принимать на гарантийный ремонт устройство, которое возвращается Потребителю за его счет.

1.5. После приема неисправного устройства в сервисном центре Производителя, специалисты центра проводят диагностику устройства, определяя характер неисправности устройства - заводской брак или результат неправильной эксплуатации Потребителем. Устройство проверяется на наличие только тех неисправностей, которые описаны в Акте рекламации и Заявлении на проведение диагностики и ремонта устройства. После проведения диагностики, специалистами сервисного центра составляется экспертное заключение, на основании экспертного заключения может быть проведен гарантийный ремонт устройства с недостатками, возникшими по вине Производителя. Если проведение ремонта устройства невозможно, то при предъявлении экспертного заключения Потребителем Производитель производит замену устройства с заводским дефектом на новое устройство с такими же техническими характеристиками, не бывшее в употреблении,

надлежащего качества, или на аналогичное, по согласованию с Потребителем, в установленные законом сроки.

1.6. Производитель оставляет за собой право отказаться от бесплатного гарантийного ремонта, если после проведения диагностики устройства обнаружены повреждения, вызванные следующими факторами:

- Нарушены правила эксплуатации, описанные в инструкции по эксплуатации.

- Имело место обслуживание не в сервисном центре Производителя, устройство подверглось ремонту неуполномоченными лицами с нарушением требований Производителя и норм техники безопасности; имеются следы попытки устранить самостоятельно дефект или осуществить монтаж не предназначенных деталей.

- Устройство использовалось не по назначению, дефекты вызваны изменениями вследствие применения устройства с целью, не соответствующей установленной сфере применения данного устройства, указанной в инструкции по эксплуатации; специалистами сервисного центра было замечено использование нестандартных режимов или параметров работы устройства или его компонентов.

- Дефект является результатом естественного износа.

- Неисправность возникла в результате механического, электрического, химического, термического и иных видов воздействий, параметры которых выходят за рамки максимально допустимых эксплуатационных характеристик, которые повлекли за собой нарушение работоспособности устройства. Устройство повреждено или вышло из строя в связи с нарушением правил и условий установки, подключения, транспортировки, разгрузки хранения.

- Потребителем была нарушена целостность устройства в течение гарантийного срока, повреждены какие-либо защитные знаки Производителя и имеются следы применения механических средств.

- В случае, если частично или полностью отсутствует заводской серийный номер, если серийный номер на устройстве или их маркировка не соответствуют сведениям, обозначенным в гарантийном талоне.

- Умышленных или ошибочных действий Потребителя.

- Действия обстоятельств непреодолимой силы (стихия,

ураган, пожар, молния, и т.п.), несчастных случаев и т.д.  
- Попадания внутрь устройства (на плату или вовнутрь корпуса устройства) посторонних предметов, воды, жидкостей, насекомых, не соответствующих свойствам используемого корпуса устройства.

1.7. Если устройство было повреждено одним из вышеуказанных способов, Производитель может при наличии технических характеристик, позволяющих произвести ремонт, отремонтировать устройство, но в этом случае, ремонт будет платным.

## **2. Порядок сдачи и приема устройства на гарантийный ремонт.**

2.1. Для устранения дефектов в работе устройства, Потребитель передает, отправляет или доставляет самостоятельно неисправное устройство в сервисный центр Производителя.

2.2. При передаче устройства на диагностику и ремонт, Потребитель прикладывает к устройству документ (товарная накладная чек, гарантийный талон и др.), подтверждающий факт приобретения устройства и актуальность гарантийного периода устройства. Также, Потребитель заполняет Заявление на проведение гарантийного ремонта (Заявление на проведение диагностики и ремонта устройства, заполняется в 2 экземплярах, (форма Заявления на проведение диагностики и ремонта устройства, приведена на официальном сайте Производителя), в котором кратко указывает описание неисправности и заполняет Акт рекламации (форма Акта рекламации приведена на официальном сайте Производителя).

2.3. При личной сдаче неисправного устройства в сервисный центр, Заявление на проведение диагностики и ремонта устройства, и Акт рекламации может быть заполнен на месте.

2.4. Неисправное устройство должно быть упаковано в заводскую упаковку или упаковочную тару, обеспечивающую безопасную транспортировку устройства.

2.5. При самостоятельной доставке в сервисный центр Производителя, Потребителю выдается квитанция о приеме устройства в ремонт, при соблюдении Потребителем условий пункта 2.2.

2.6. Об окончании проведения гарантийного ремонта, Потребителя уведомляют любым доступным для связи способом: сообщением, направленным по электронной почте, посредством телефонной связи (в соответствии с контактными данными, указанными в Заявлении на проведение диагностики и ремонта устройства).

Возврат денежных средств за покупку неисправного устройства и иные требования Потребителя, (кроме проведения диагностики, гарантийного ремонта и замены устройства), сервисным центром не осуществляется. По вопросам возврата неисправного устройства, Потребителю необходимо обратиться к Продавцу в отдел продаж, в котором было приобретено данное устройство.

2.7. Отремонтированное устройство сопровождается Сервисным листом Производителя – Актом о выполнении работ по гарантийному ремонту устройства, подписанным уполномоченным специалистом сервисного центра Производителя. Сервисный лист подтверждает, что заявленные Потребителем в Заявлении на проведение диагностики и ремонта устройства и Акте рекламации неисправности устранены и устройство работает в полном соответствии с заявленными Производителем техническими характеристиками.

### **3. Сроки выполнения гарантийного ремонта устройства.**

3.1. Срок выполнения гарантийного ремонта после диагностики неисправности устанавливается по письменному соглашению между Производителем и Потребителем и составляет в среднем до 10 рабочих дней, но не превышает 45 дней с момента принятия устройства в сервисный центр.

3.2. В случае невозможности осуществления ремонта в установленные сроки, устройство подлежит замене на другое, не бывшее в употреблении с такими же техническими характеристиками или, по согласованию с Потребителем, на аналогичное. (При предъявлении требования замены устройства, срок удовлетворения требования Потребителя от 7 дней до одного месяца).

3.3. Гарантийный срок продлевается на период проведения гарантийного ремонта, в течение которого устройство не использовалось. Указанный период исчисляется со дня

обращения Потребителя с требованием об устранении недостатков устройства до дня выдачи его по окончании ремонта.

3.4. Потребителю необходимо сохранять все документы о ремонте, для подтверждения нахождения устройства в ремонте.

3.5. Гарантия на комплектующие, использованные при ремонте устройства, заканчиваются вместе с гарантией на устройство.

3.6. С момента покупки устройства всю ответственность за надлежащую, законную и безопасную эксплуатацию устройства и за возможный ущерб, причиненный этим устройством имуществу и/или здоровью третьих лиц Потребитель целиком и полностью принимает на себя. Производитель не несет ответственности за возможный вред прямо или косвенно нанесенный его устройством людям, домашним животным, имуществу, в результате несоблюдения правил и условий эксплуатации, а также умышленных или иных неосторожных действий Потребителя.

С момента покупки устройства в комплекте с SIM-картой, Потребитель целиком и полностью принимает на себя всю ответственность за надлежащее использование сим-карты, которая должна использоваться по назначению и находиться внутри устройства в процессе эксплуатации устройства. Потребитель несет ответственность в соответствии с действующим законодательством за возможный ущерб, причиненный третьим лицам за ненадлежащее использование сим-карты, находящейся внутри устройства. Производитель не несет ответственности за возможный вред, нанесенный третьим лицам, в результате несоблюдения Потребителем условий использования устройства, SIM-карты, а также умышленных или иных неосторожных действий Потребителя.

3.7. В случаях негарантийного сервисного обслуживания, сервисный центр оставляет за собой право осуществить платный ремонт. Потребитель имеет право отказаться от платного ремонта. В случае отказа от платного ремонта Потребителем – устройство возвращается Потребителю в текущем виде.



## WARRANTY CARD

Type: **AutoFon SE-Mayak**

Firmware version: .....

Date of sale / installation: .....

Name and stamp of seller  
(installation center): .....

Seller's signature: .....